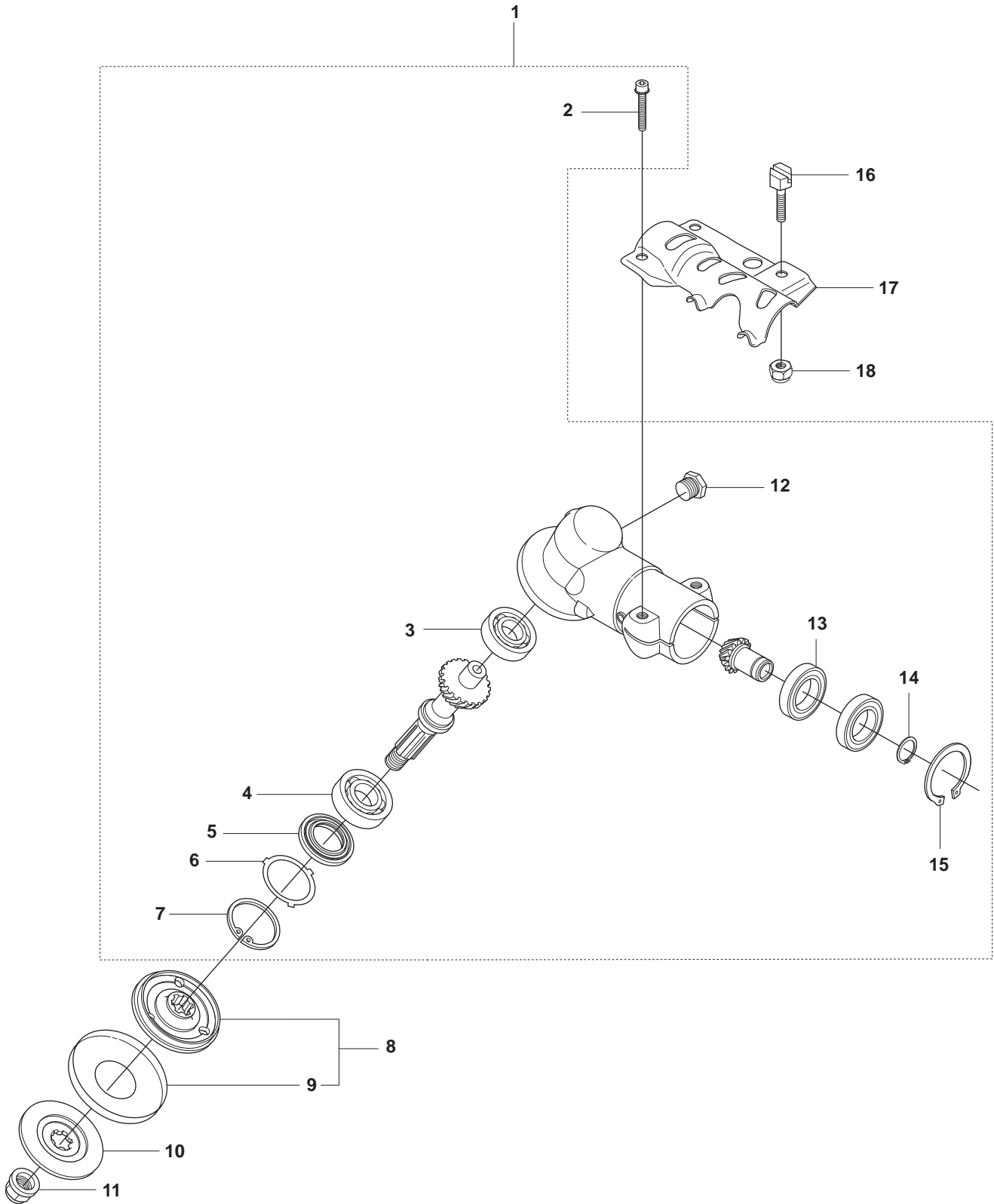


**A1** 343F, FR, 345FX, FXT, FRM, R, RX  
BEVEL GEAR

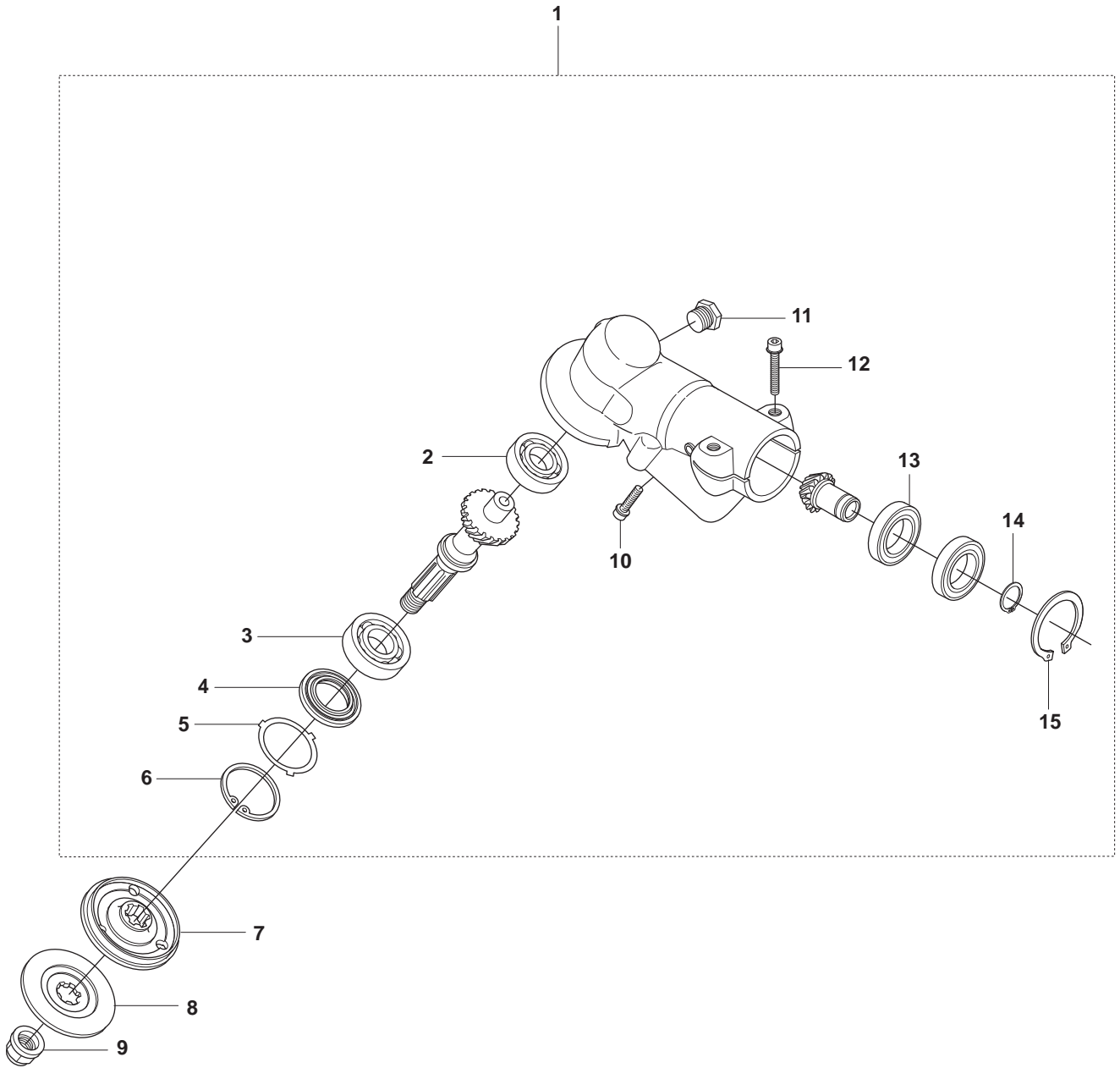


**BEVEL GEAR**

<b>Position</b>	<b>Article</b>	<b>Quantity</b>	<b>Notes</b>	<b>Kit</b>
1	504 10 38-01	1	R, Rx, FR, FRM	
2	503 20 02-25	2		1
3	738 21 01-10	1		1
4	503 25 08-01	1		1
5	503 26 17-01	1		1
6	503 75 89-01	1		1
7	735 31 33-10	1		1
8	537 35 14-01	1	1"	
9	537 29 24-01	1		8
10	544 21 78-01	1		
11	502 29 11-01	1		
12	503 20 15-01	1		1
13	738 21 87-12	2		1
14	735 31 17-00	1		1
15	735 31 31-10	1		1
16	537 18 95-01	1		
17	503 95 45-01	1		
18	732 21 16-01	1		

# A2

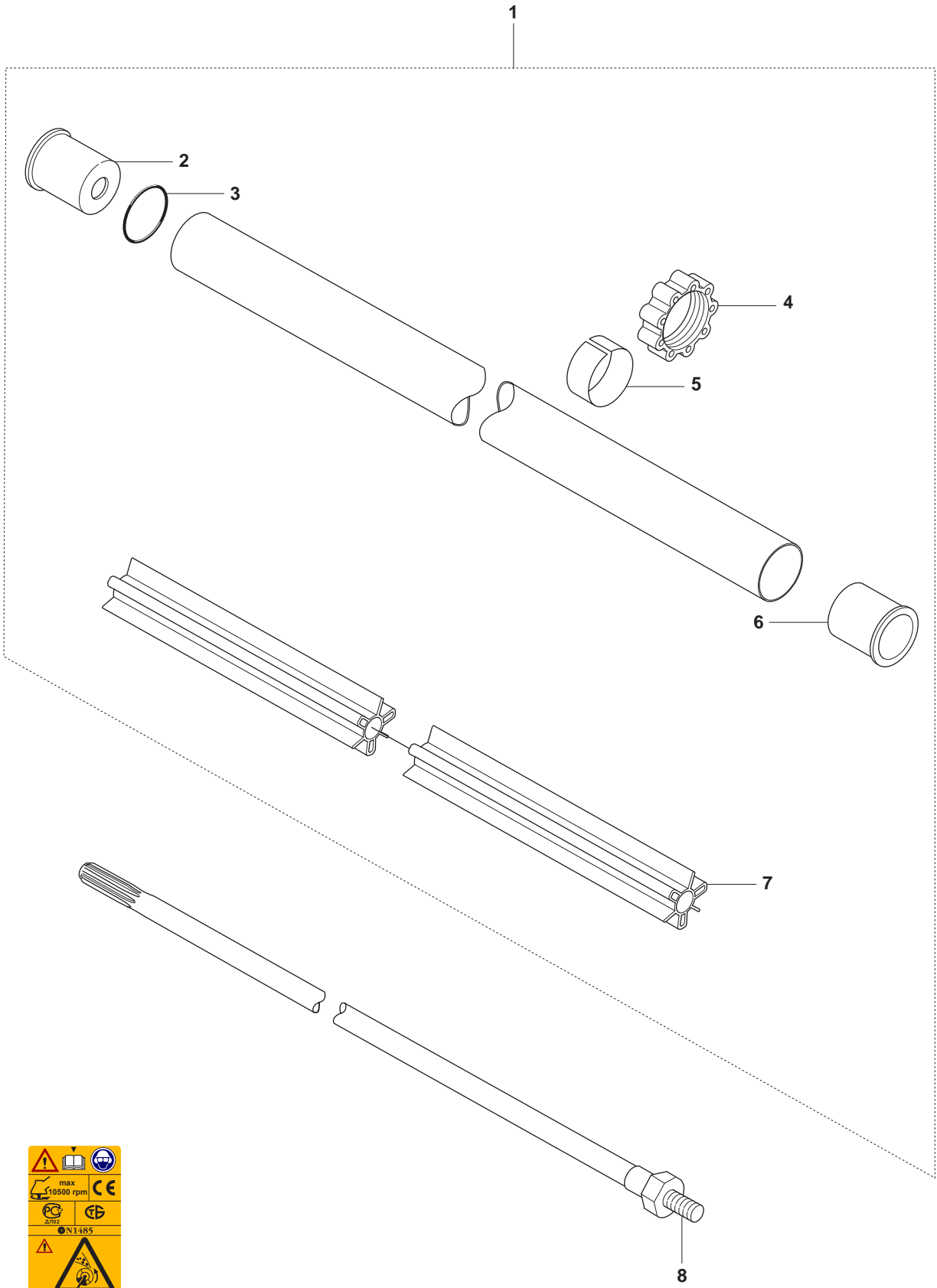
343F, FR, 345FX, FXT, FRM, R, RX  
BEVEL GEAR



**BEVEL GEAR**

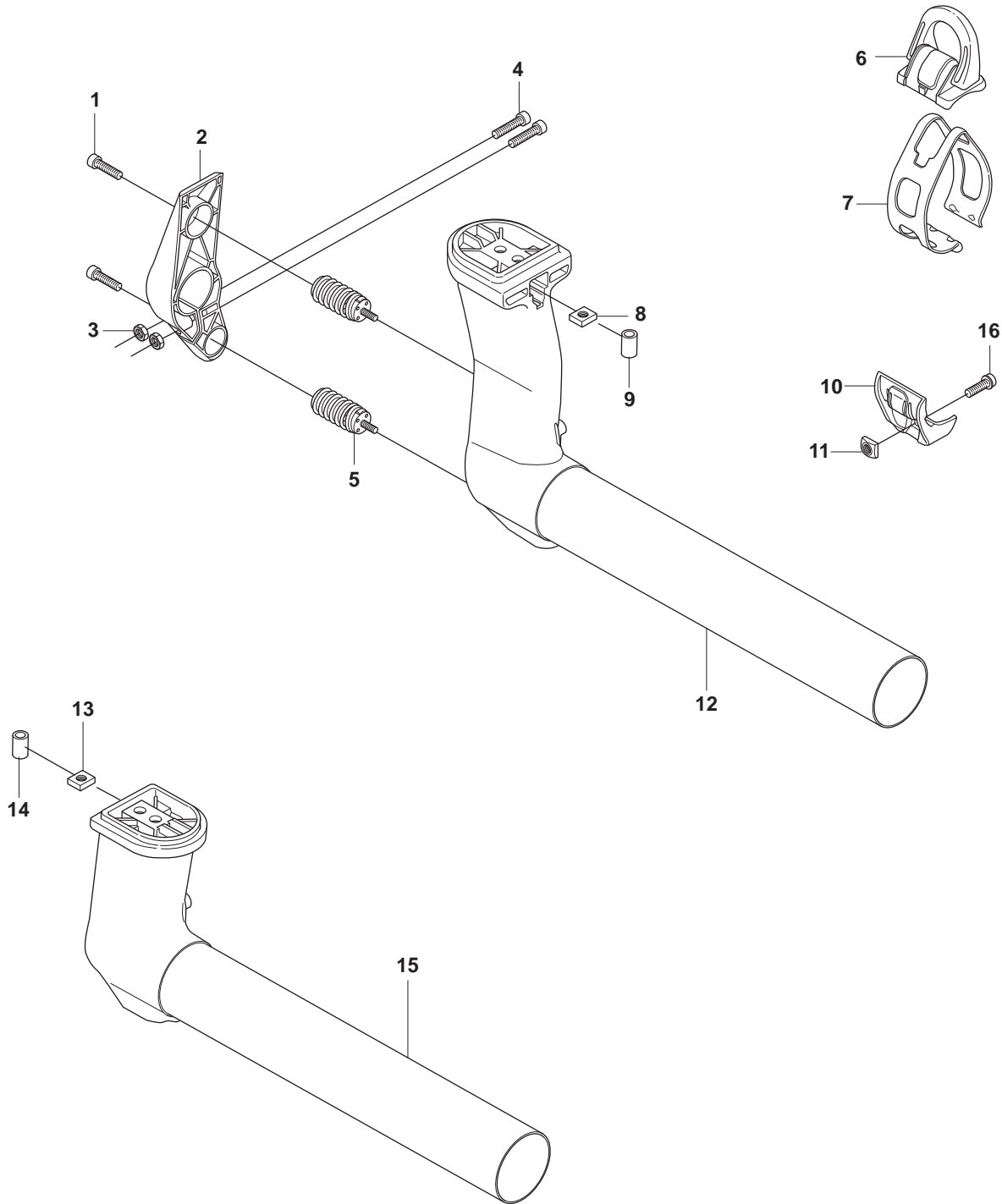
<b>Position</b>	<b>Article</b>	<b>Quantity</b>	<b>Notes</b>	<b>Kit</b>
1	504 10 35-03	1	F, Fx, FxT	
2	738 21 01-10	1		1
3	503 25 08-01	1		1
4	503 26 17-01	1		1
5	503 75 89-01	1		1
6	735 31 33-10	1		1
7	544 19 78-01	1	1"	
8	544 21 78-01	1		
9	502 29 11-01	1		
10	503 20 03-16	4		1
11	503 20 15-01	1		1
12	503 20 02-25	2		1
13	738 21 87-12	2		1
14	735 31 17-00	1		1
15	735 31 31-10	1		1

**B** 343F, FR, 345FX, FXT, FRM, R, RX  
SHAFT





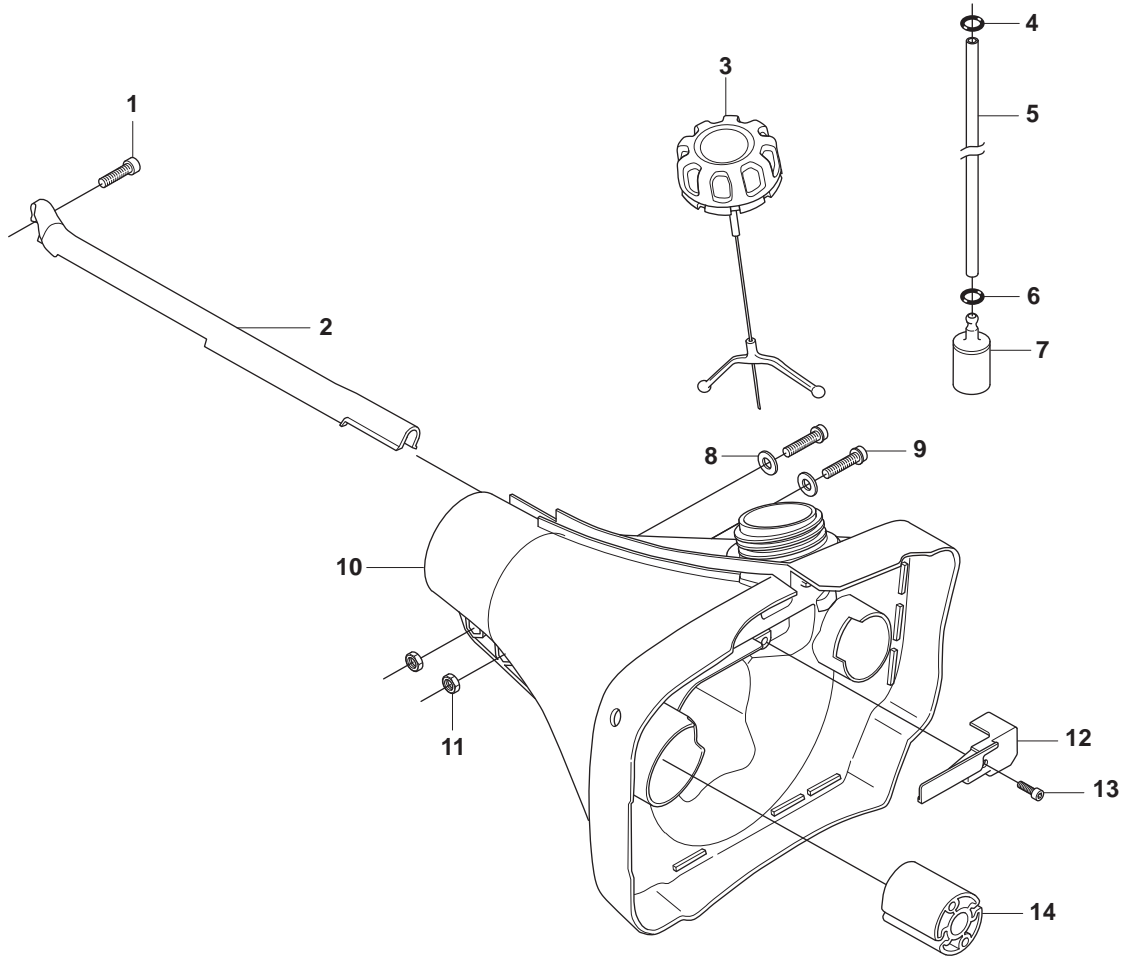
**C** 343F, FR 345FX, FXT, FRM, R, RX  
SUSPENSION





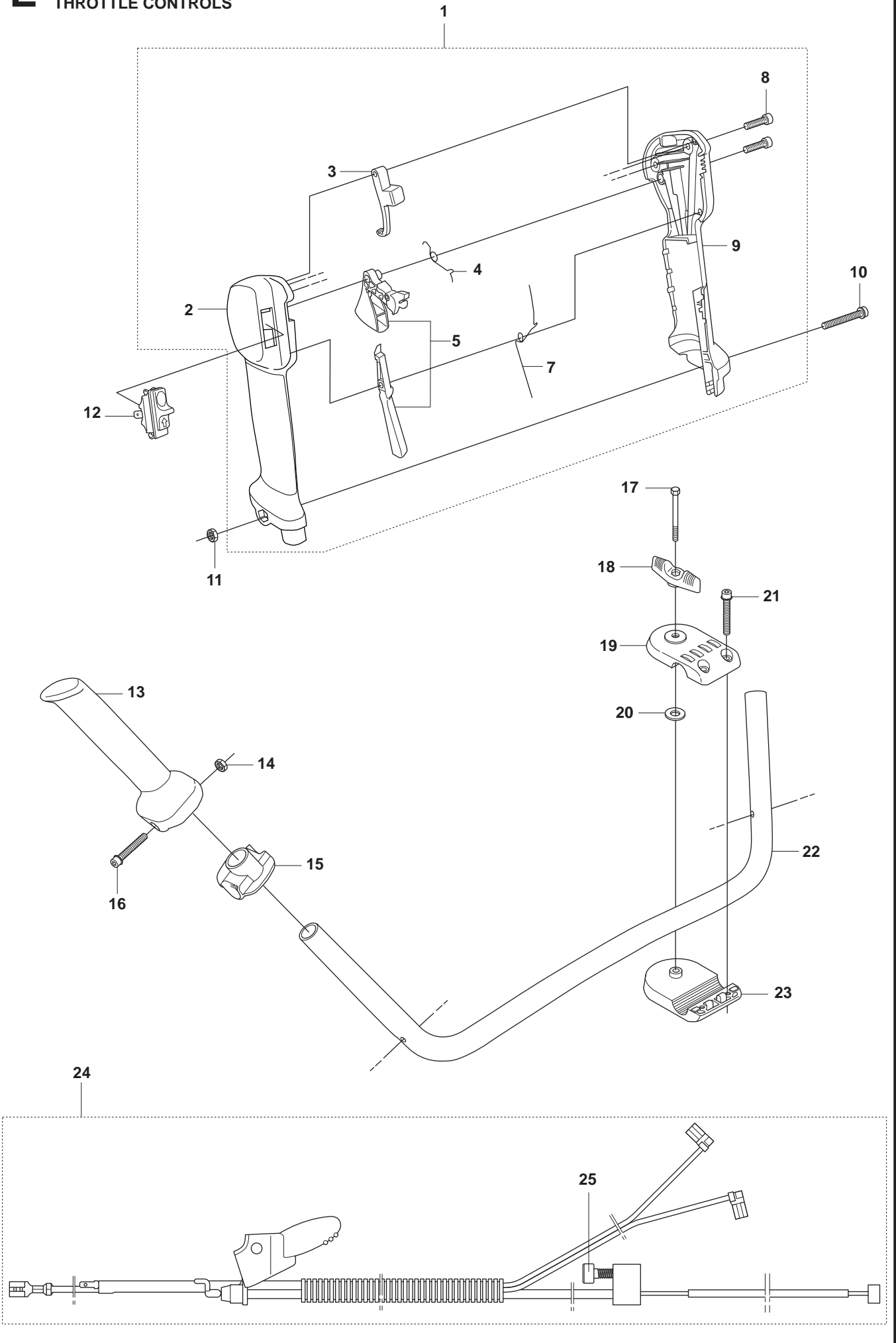


**D** 343F, FR, 345FX, FXT, FRM, R, RX  
FUEL TANK



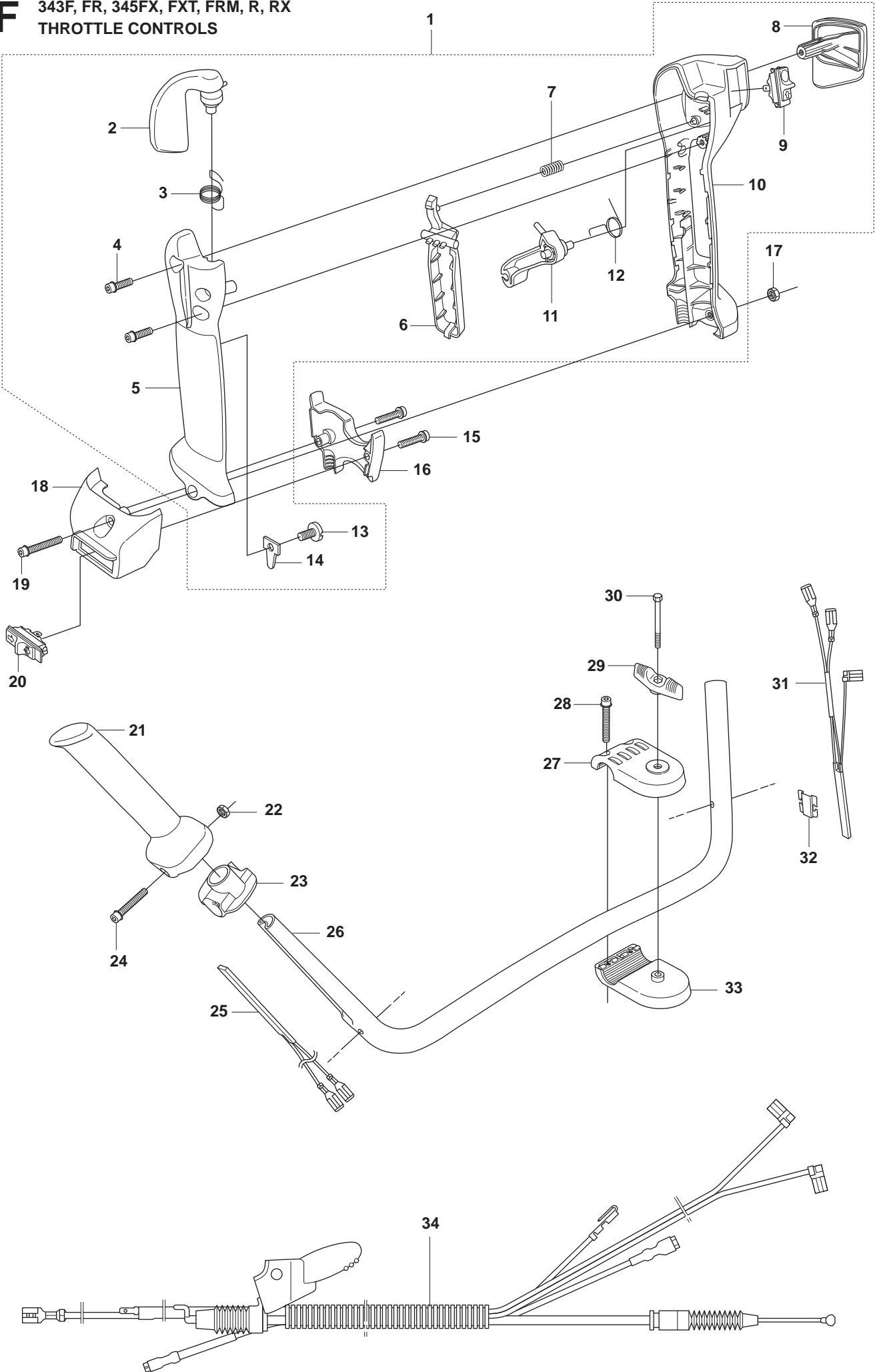


**E** 343F, FR, 345FX, FXT, FRM, R, RX  
THROTTLE CONTROLS





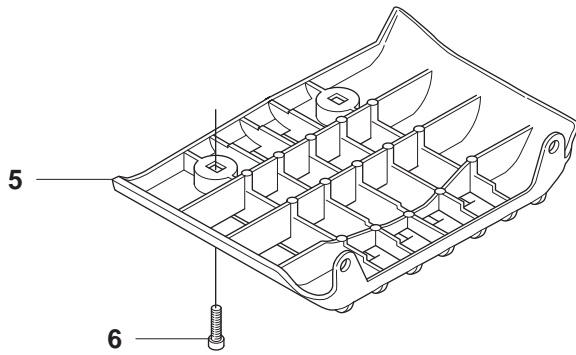
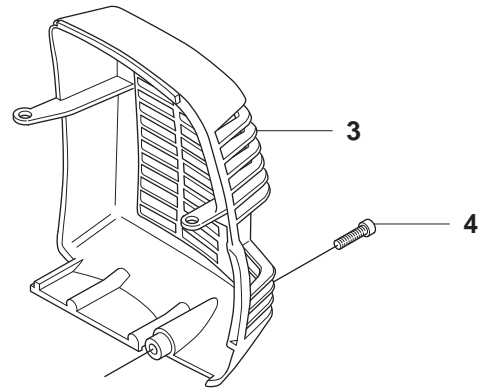
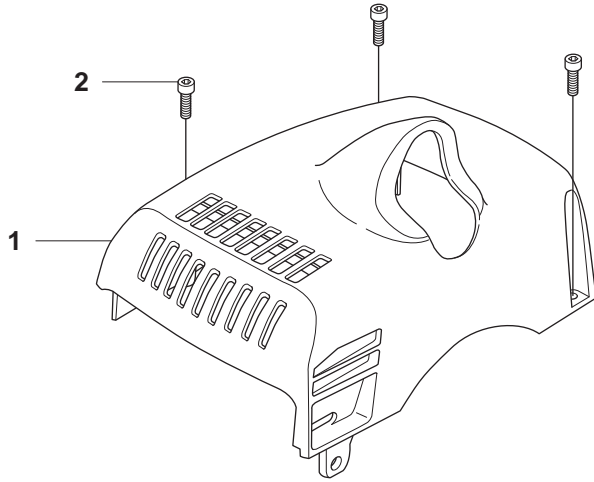
**F** 343F, FR, 345FX, FXT, FRM, R, RX  
THROTTLE CONTROLS



**Page F    343F, FR            THROTTLE CONTROLS**  
**345R, RX, FX, FXT, FRM**

Position	Article	Quantity	Notes	Kit
1	537 19 72-13	1	F, Fx, FxT	
2	537 26 34-01	1		1
3	537 28 37-01	1		1
4	503 21 75-20	2		1
5	537 15 53-01	1		1
6	537 15 56-01	1		1
7	537 19 97-01	1		1
8	537 18 24-01	1		1
9	537 41 90-01	1		1
10	537 15 52-01	1		1
11	537 26 35-01	1		1
12	537 34 27-01	1		1
13	503 21 70-10	1		1
14	537 25 11-01	1		1
15	503 21 71-20	2	FxT	
16	537 20 16-01	1	FxT	
17	731 23 14-05	1		
18	537 20 15-01	1	FxT	
19	503 20 02-35	1	F, Fx	
19	503 20 02-45	1	FxT	
20	503 71 82-02	1	FxT	
21	537 17 28-05	1	F, Fx, FxT	
22	731 23 14-05	1		
23	537 17 29-02	1		
24	503 20 02-45	1		
25	537 22 72-01	1	FxT	
26	503 95 86-01	1	F, Fx	
26	503 95 86-02	1	FxT	
27	537 12 90-02	1		
28	503 20 02-25	2		
29	502 20 38-01	1		
30	725 23 82-85	1		
31	537 22 71-01	1	FxT	
32	537 26 51-01	2	FxT	
33	537 12 91-01	1		
34	504 53 86-02	1	FxT	
34	504 53 86-01	1	F, Fx	

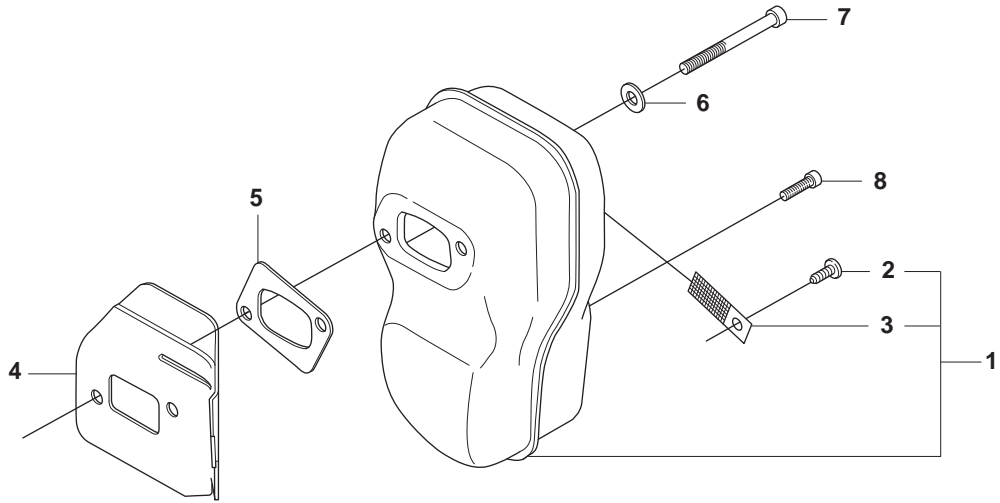
**G** 343F, FR, 345FX, FXT, FRM, R, RX  
COVERS







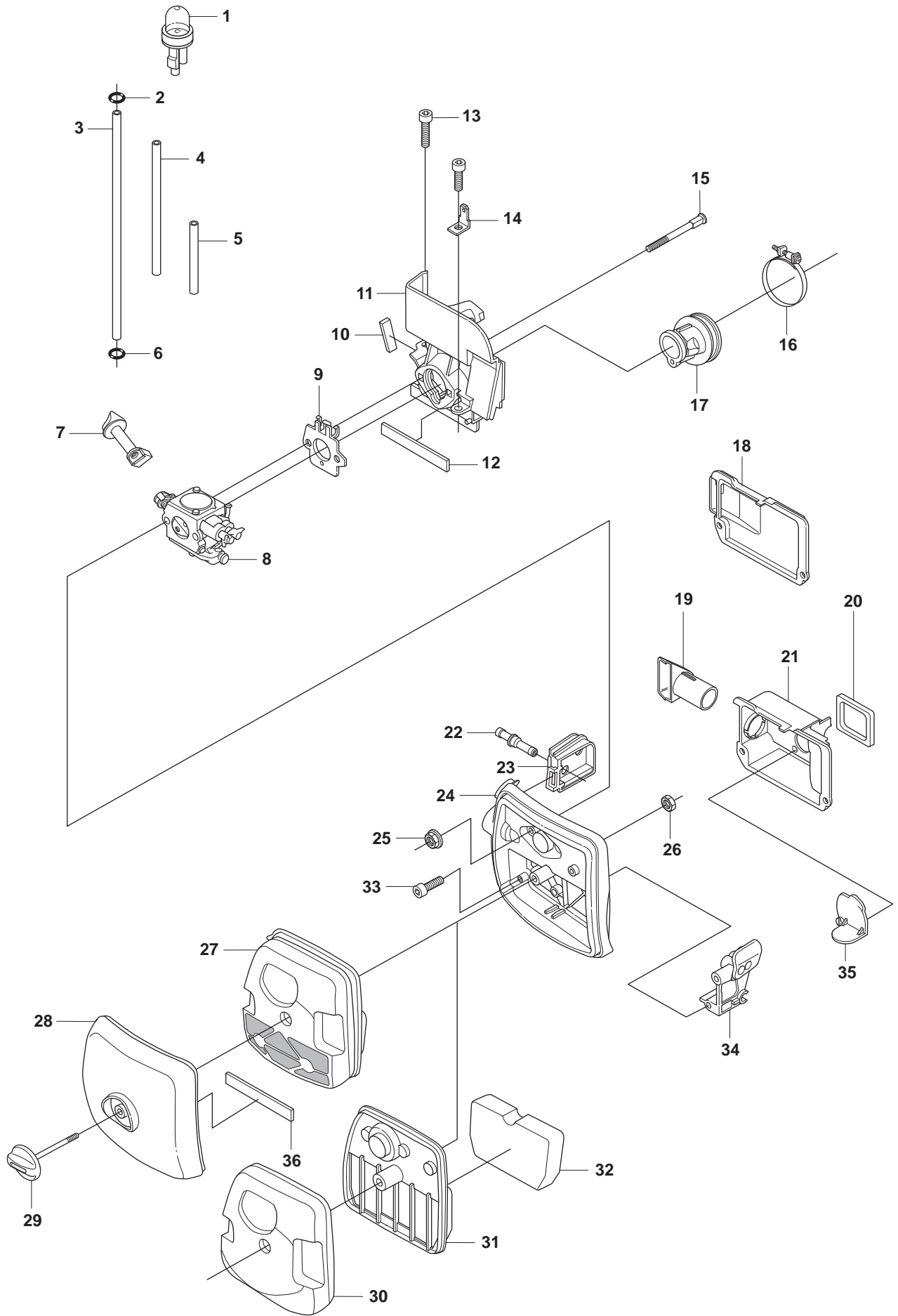
**H** 343F, FR, 345FX, FXT, FRM, R, RX  
MUFFLER





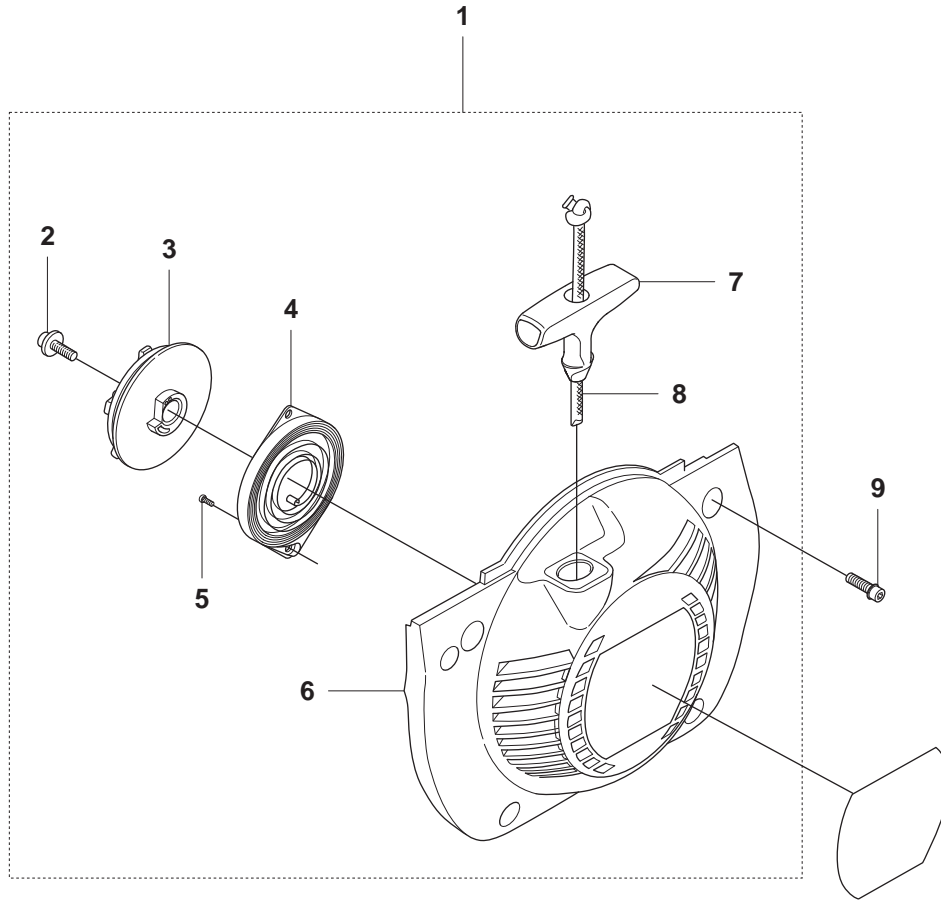
# J

## 343F, FR, 345FX, FXT, FRM, R, RX AIRFILTER HOLDER



Position	Article	Quantity	Notes	Kit
1	503 93 66-01	1		
2	537 18 49-01	1		
3	544 32 49-23	1	L=160 mm	
4	537 04 24-01	1	L=102 mm	
5	537 05 23-03	1	L=35 mm	
6	537 18 49-01	1		
7	537 11 00-01	1		
8	503 28 31-16	1	Zama C1Q-EL21	
8	503 28 31-18	1	Zama C1Q-EL23, 343R South America	
9	537 11 01-01	1		
10	537 22 96-02	1		
11	537 30 02-01	1		
12	537 22 96-01	1		
13	503 20 03-20	1		
14	503 23 88-02	1		
15	544 08 20-02	2		
16	503 56 00-09	1		
17	503 95 83-01	2		
18	537 27 61-01	1	FR, FRM, R, Rx	
19	537 14 15-01	1	F, Fx, FxT	
20	537 30 93-01	1	F, Fx, FxT	
21	537 10 99-02	1	F, Fx, FxT	
22	537 28 46-01	1		
23	537 16 59-01	1		
24	503 95 81-01	1		
25	731 71 14-51	1		
26	731 23 14-05	1		
27	537 38 11-01	2	$\mu$ 80 Black F, Fx, FxT	
28	537 30 76-02	2		
29	537 21 32-12	1		
30	503 95 80-01	1	R, Rx, FR, FRM	
31	503 95 79-01	1	R, Rx, FR, FRM	
32	537 42 71-01	1	R, Rx, FR, FRM	
33	503 20 03-20	1		
34	537 14 13-01	1		
35	537 14 14-01	2	F, Fx, FxT, FR	
36	537 22 96-03	1		

**K** 343F, FR, 345FX, FXT, FRM, R, RX  
STARTER



16



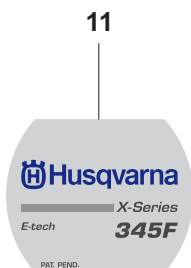
15



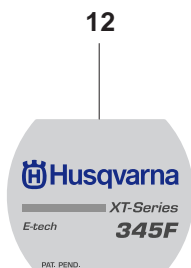
10



11



12



13

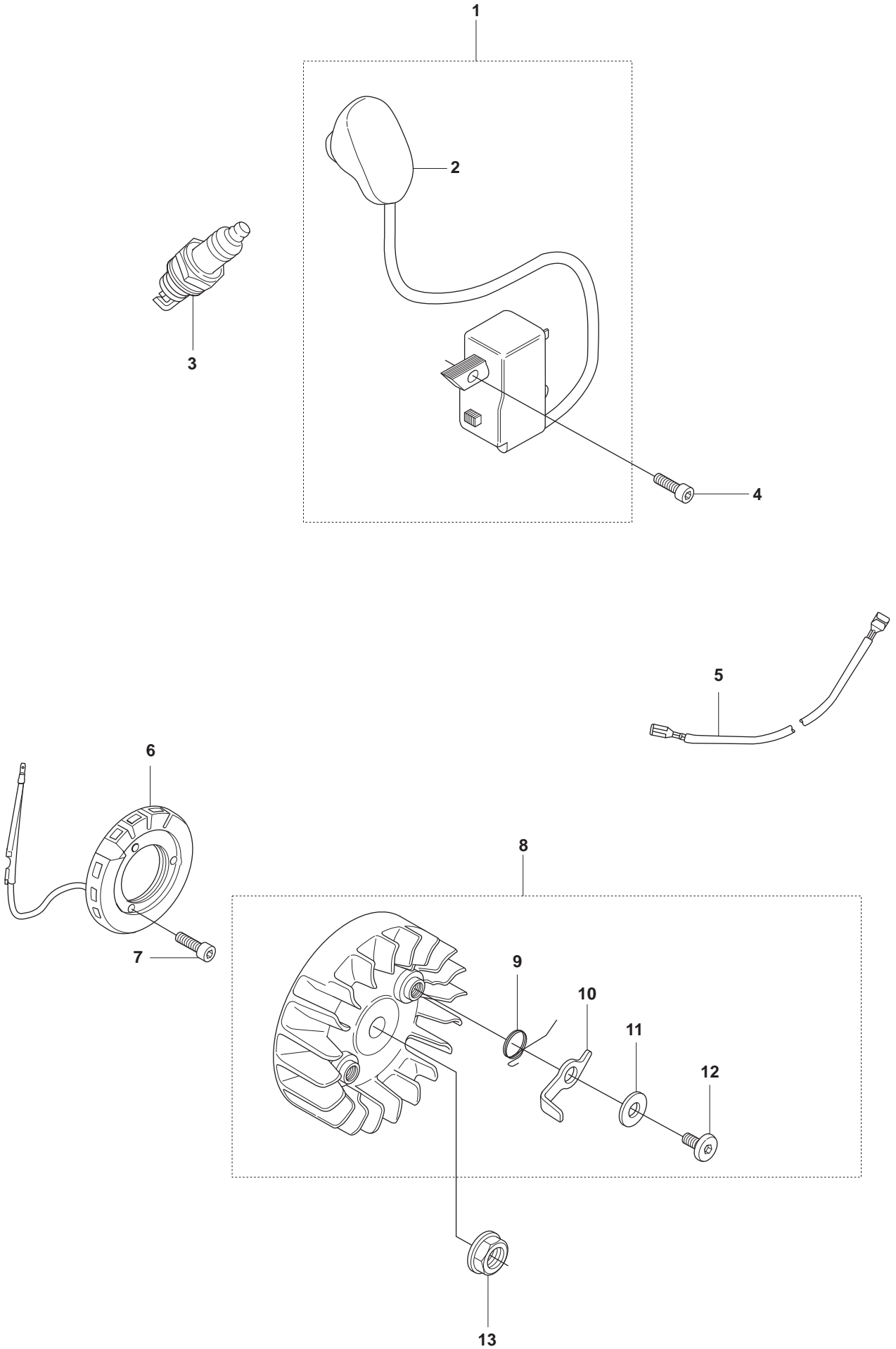


14





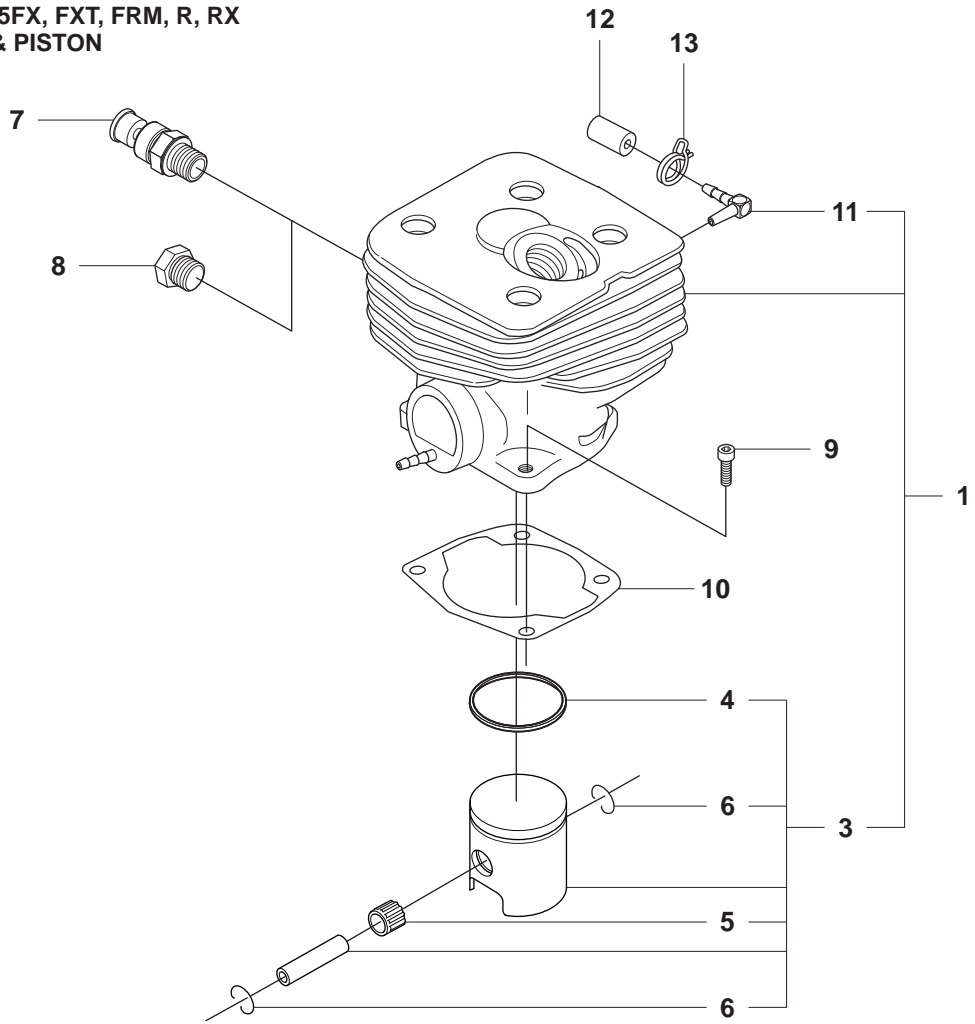
**L** 343F, FR, 345FX, FXT, FRM, R, RX  
IGNITION



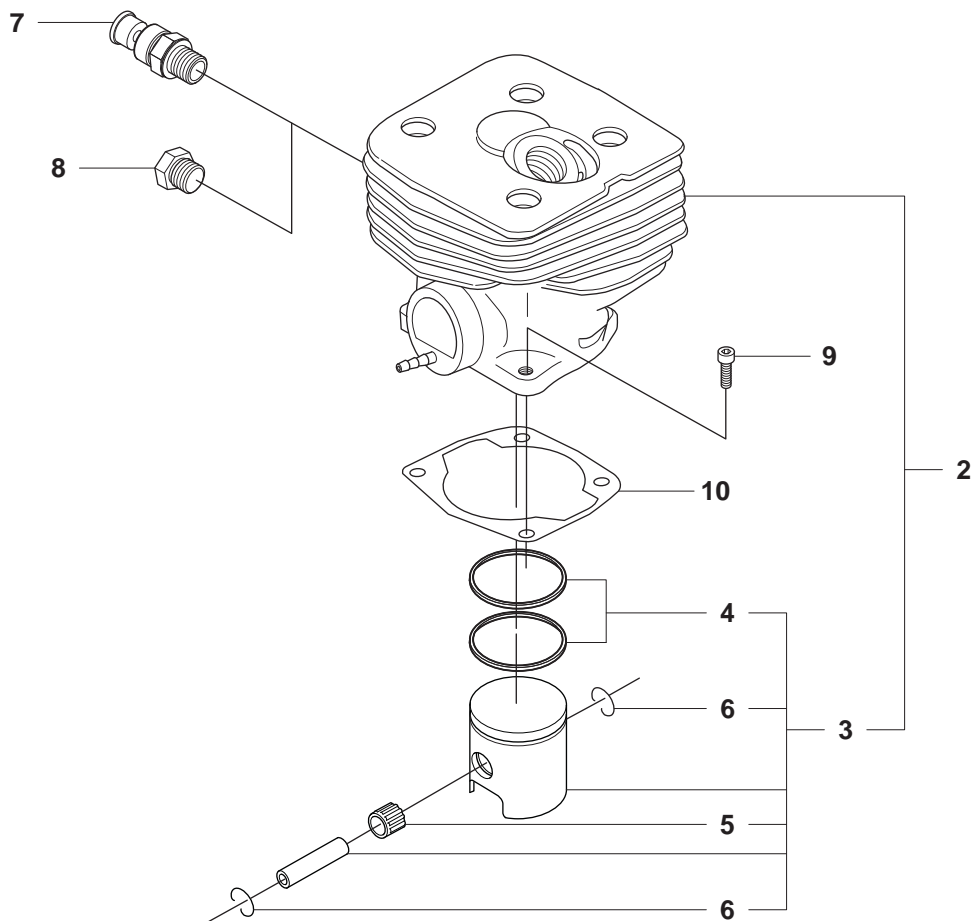




**M** 343F, FR, 345FX, FXT, FRM, R, RX  
CYLINDER & PISTON

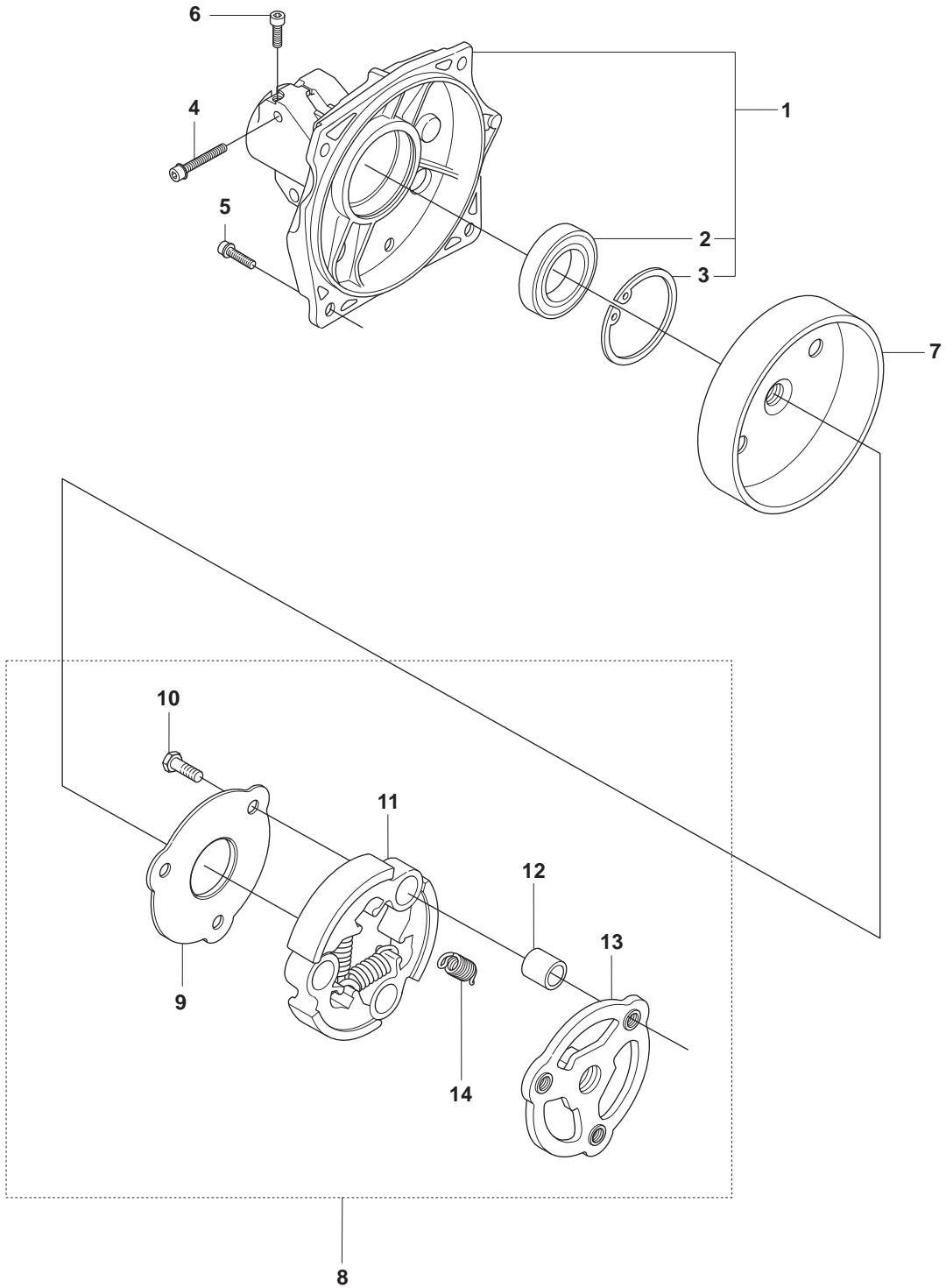


**M**



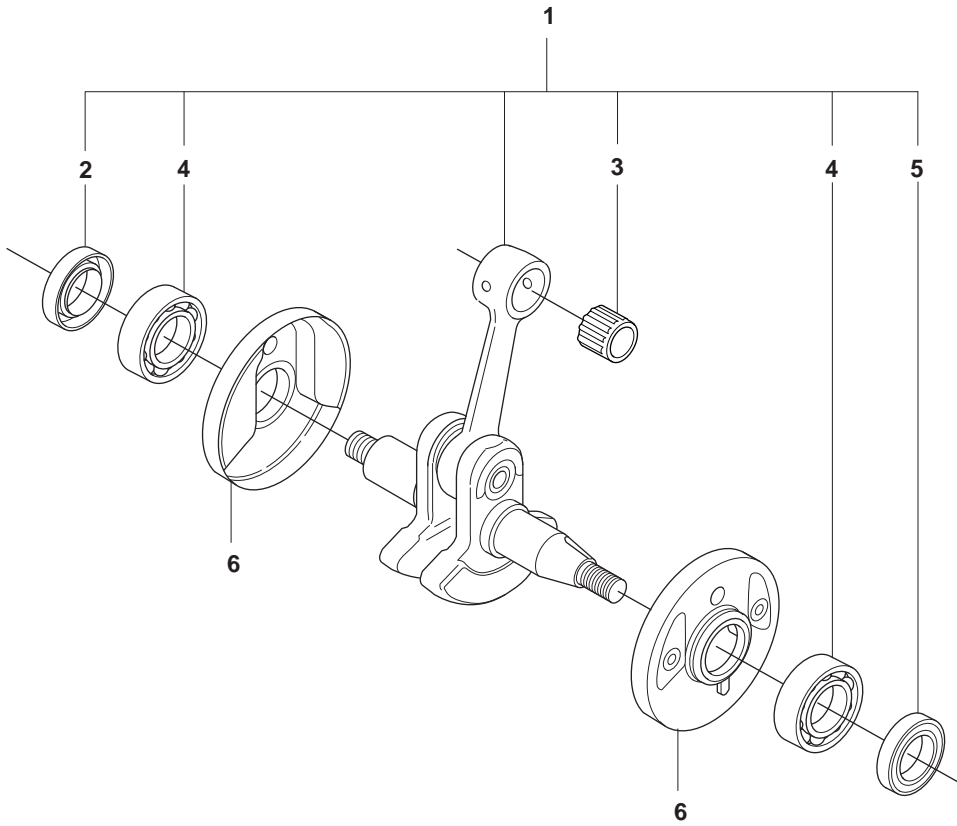


**N** 343F, FR, 345FX, FXT, FRM, R, RX  
CLUTCH



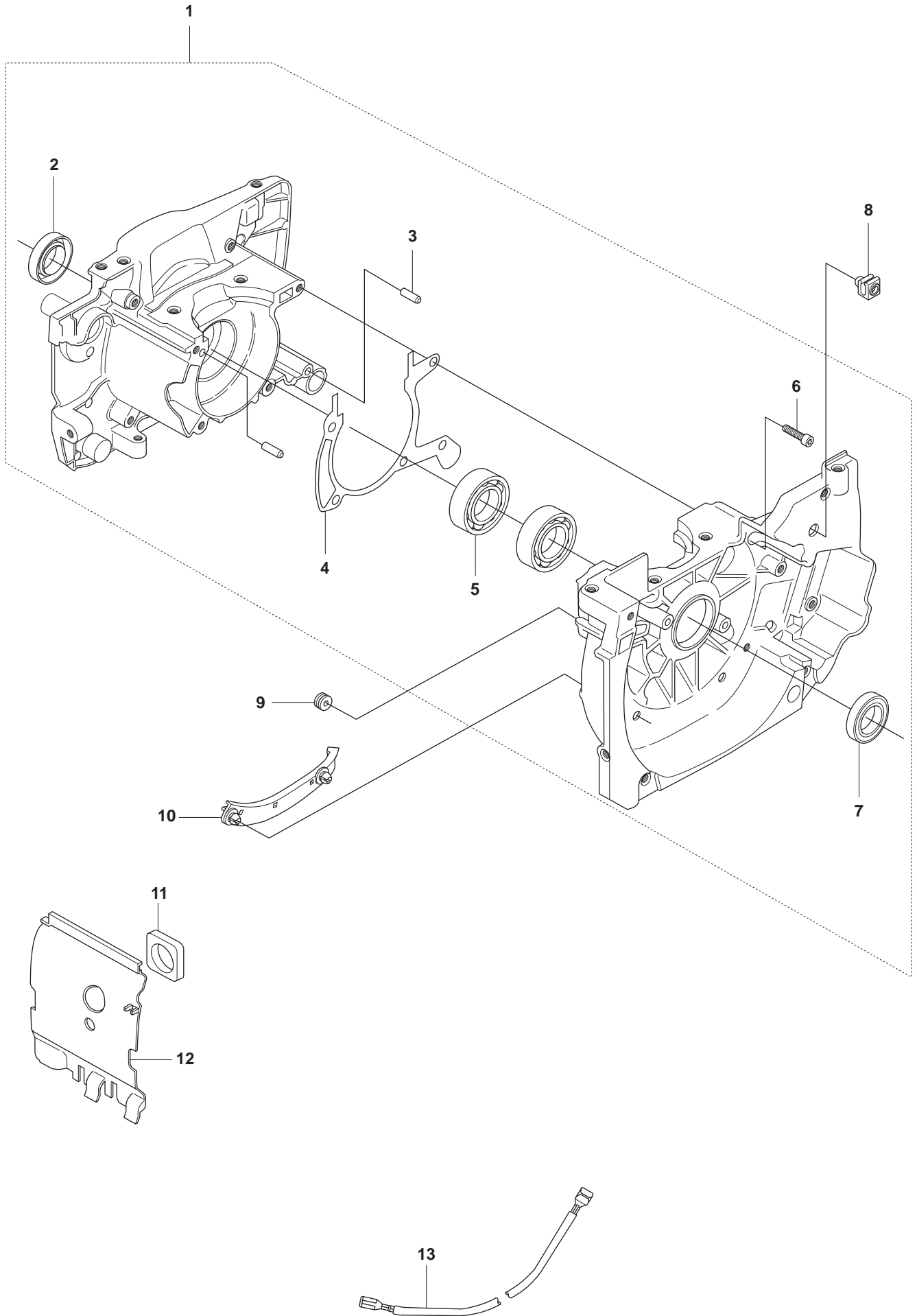


**P** 343F, FR, 345FX, FXT, FRM, R, RX  
CRANK SHAFT





**Q** 343F, FR, 345FX, FXT, FRM, R, RX  
CRANK CASE





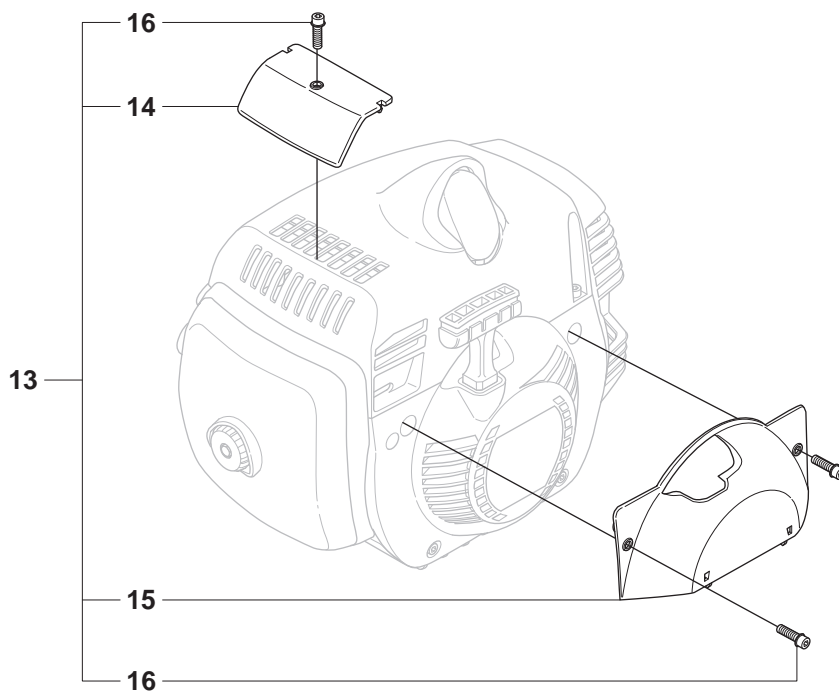
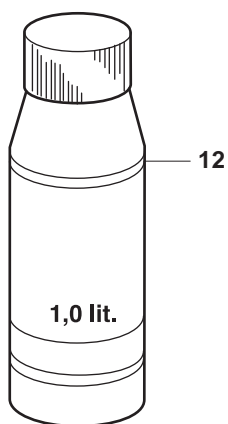
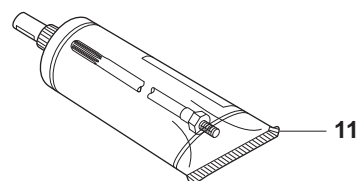
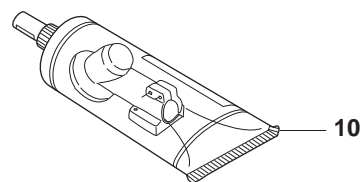
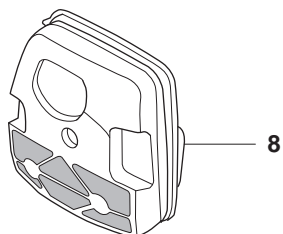
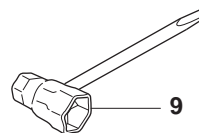
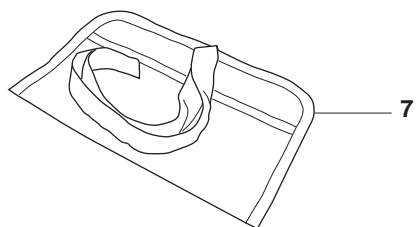
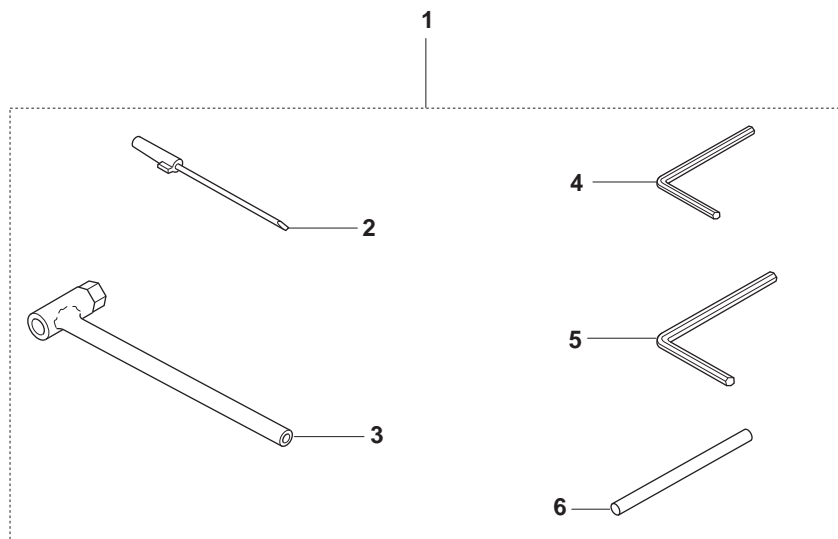




**CARBURETOR**

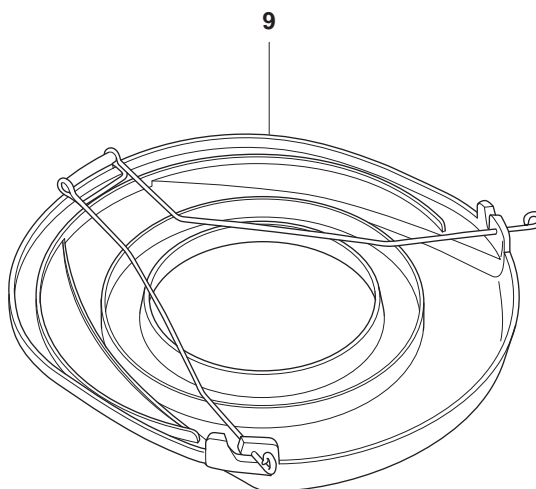
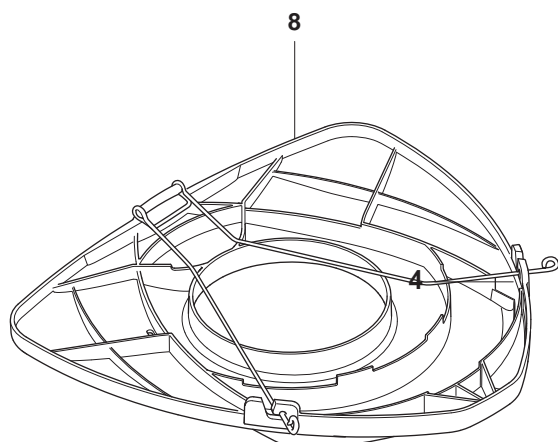
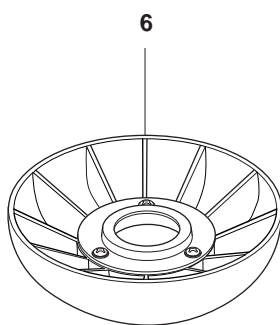
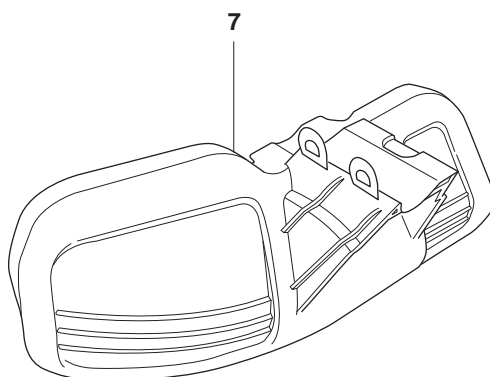
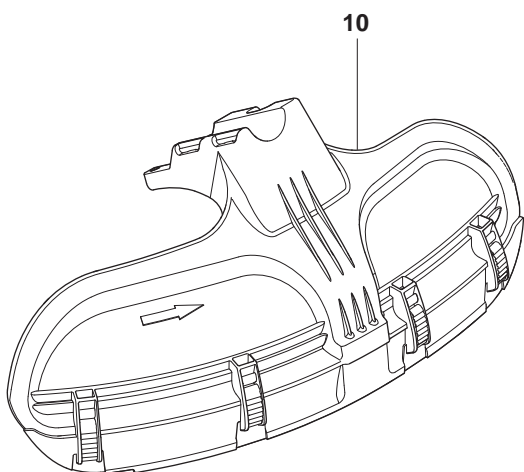
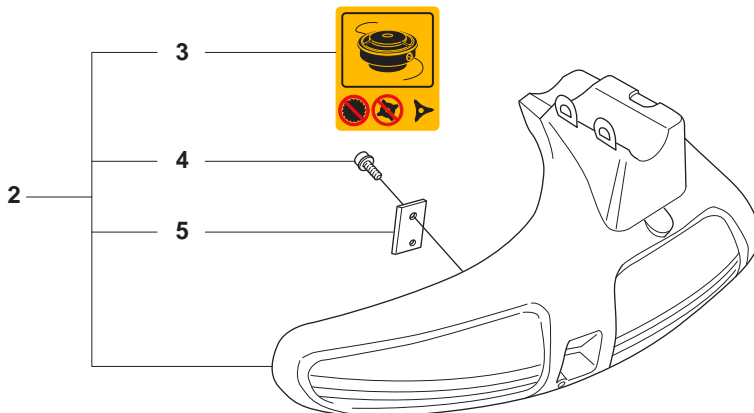
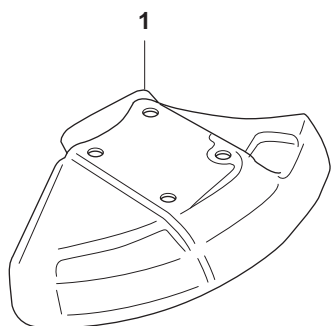
<b>Position</b>	<b>Article</b>	<b>Quantity</b>	<b>Notes</b>	<b>Kit</b>
1	503 28 31-16	1	Zama C1Q-EL21	
1	503 28 31-18	1	Zama C1Q-EL23 343R South America	
2	503 48 05-01	2		1
3	503 97 43-01	1		1
4	503 48 02-01	1	Part of Gasket kit	1
5	503 48 03-01	1	Part of Gasket kit	1
6	503 53 56-01	1		1
7	544 11 49-01	1		1
8	503 48 01-01	1		1
9	503 48 00-01	1		1
10	503 66 59-01	1		1
11	503 47 97-01	1		1
12	537 02 03-01	1		1
13	503 47 90-01	1		1
14	537 01 98-01	1		1
15	503 47 89-01	1		1
16	537 02 09-01	1		1
17	503 48 19-01	1		1
18	537 04 90-01	1		1
19	537 02 11-01	1		1
20	503 48 18-01	1		1
21	537 02 10-01	1		1
22	537 01 26-01	1		1
23	537 01 25-01	1		1
24	503 53 57-01	1		1
25	503 75 53-01	1		1
26	537 02 00-01	1	Part of Gasket kit	1
27	537 02 01-01	1	Part of Gasket kit	1
28	537 02 02-01	1		1
29	503 47 96-01	1		1
30	537 02 07-01	1		1
31	503 48 11-01	1		1
32	537 27 54-01	1		1
33	537 38 68-01	1		1
34	503 47 92-01	1		1
35	537 28 71-01	1		1
36	503 90 33-01	1	H Zama C1Q-EL21	1
37	503 90 32-01	1	L Zama C1Q-EL21	1
38	537 27 56-01	1	H Zama C1Q-EL21	1
39	537 27 55-01	1	L Zama C1Q-EL21	1
40	503 97 40-01	2	Zama C1Q-EL21	1
41	503 90 34-01	1	Zama C1Q-EL21	1
42	537 27 42-01	1	Zama C1Q-EL21	1
43	537 38 70-01	1	Zama C1Q-EL23	1
44	537 38 69-01	1	Zama C1Q-EL23	1
45	503 48 08-01	2	Zama C1Q-EL23	1
46	537 24 36-01	1	Gasket kit	

**S1** 343F, FR, 345FX, FXT, FRM, R, RX  
ACCESSORIES



Position	Article	Quantity	Notes	Kit
1	502 21 60-13	1		
2	501 60 02-03	1		1
3	502 11 46-03	1		1
4	502 21 58-01	1	4 mm	1
5	503 55 86-02	1	5 mm	1
6	502 28 59-01	1		1
7	501 19 22-01	1		
8	537 38 11-01	1	NYLON $\mu$ 80 = Black	
8	537 38 11-02	1	NYLON $\mu$ 44 = Yellow	
8	537 38 11-03	1	FELT = White	
8	537 38 11-04	1	NYLON $\mu$ 100 = Grey	
9	501 69 17-01	1		
10	503 97 64-01	1		
11	503 80 17-01	1		
12	531 00 92-48	1	Oil Airfilter 1.0 litre	
13	537 23 84-01	1	Winter Kit	
14	537 17 87-01	1		13
15	537 17 88-01	1		13
16	503 21 70-10	3		13

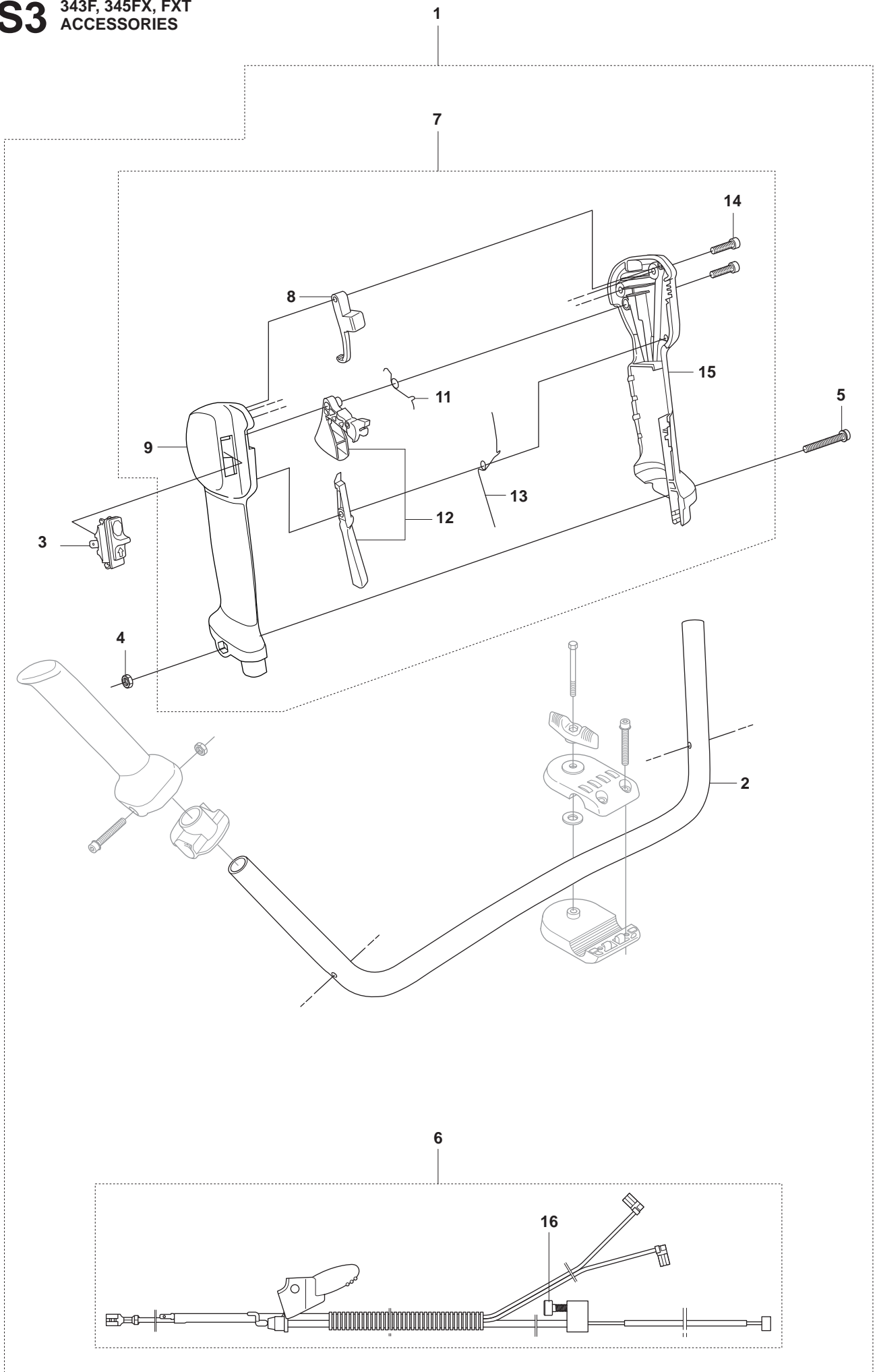
**S2** 343F, FR, 345FX, FXT, FRM, R, RX  
ACCESSORIES



**ACCESSORIES**

<b>Position</b>	<b>Article</b>	<b>Quantity</b>	<b>Notes</b>	<b>Kit</b>
1	544 01 65-01	1	225 mm Sawblade guard	
1	537 21 71-04	1	200 mm Sawblade guard	
2	503 95 43-01	1	Trimmer guard	
3	503 74 29-01	1		2
4	503 21 07-16	1		2
5	503 79 88-01	1		2
6	502 15 70-02	1		
7	537 28 85-01	1	Grassblade guard	
8	544 35 91-01	1	300-350 mm	
9	537 31 29-01	1	200-275 mm	
10	544 46 43-01	1	Kombi guard	

**S3** 343F, 345FX, FXT  
ACCESSORIES



**ACCESSORIES**

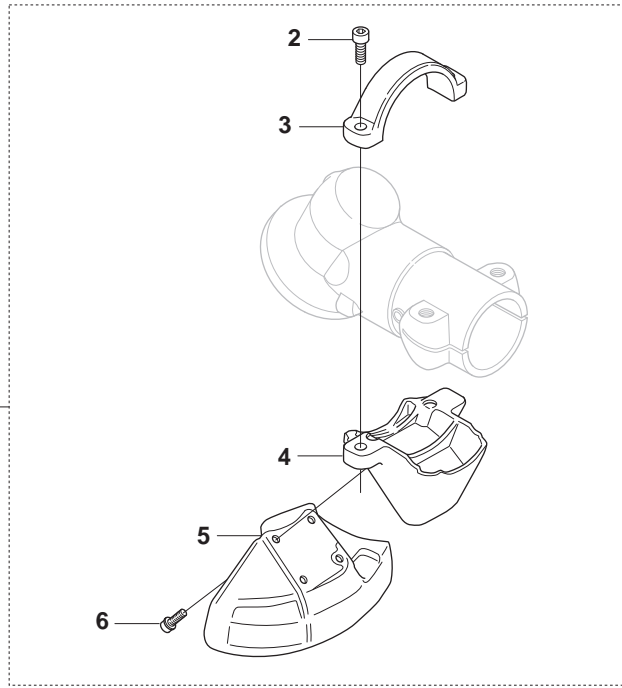
<b>Position</b>	<b>Article</b>	<b>Quantity</b>	<b>Notes</b>	<b>Kit</b>
1	510 11 88-01	1	F, Fx, FxT Canada	
2	503 95 86-03	1		1
3	503 41 90-01	1		1
4	503 22 10-13	1		1
5	503 20 07-35	1		1
6	544 97 78-02	1		1
7	504 20 98-04	1		1
8	537 16 07-01	1		1,7
9	537 18 07-11	1		1,7
11	537 17 42-01	1		1,7
12	506 49 77-01	1		1,7
13	537 17 43-01	1		1,7
14	503 21 66-18	2		1,7
15	537 18 08-11	1		1,7
16	503 21 66-16	1		1,6,7



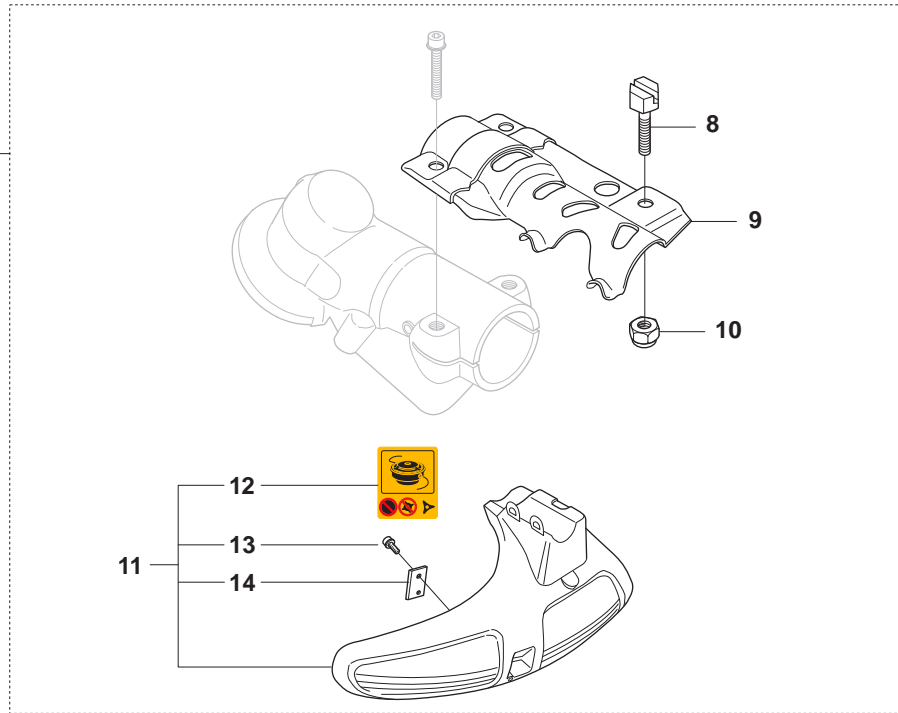
# S4

343F, FR, 345FX, FXT, FRM, R, RX  
ACCESSORIES

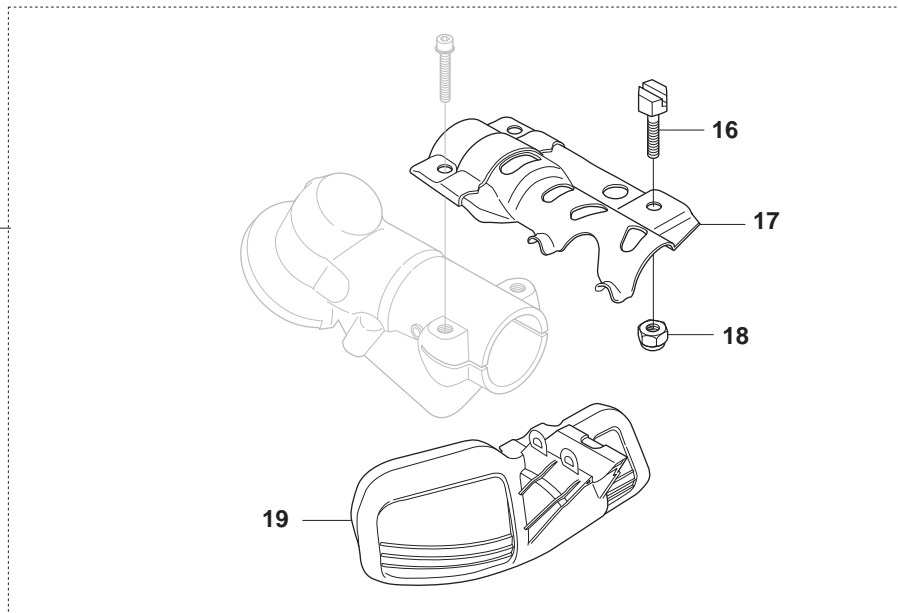
1



7

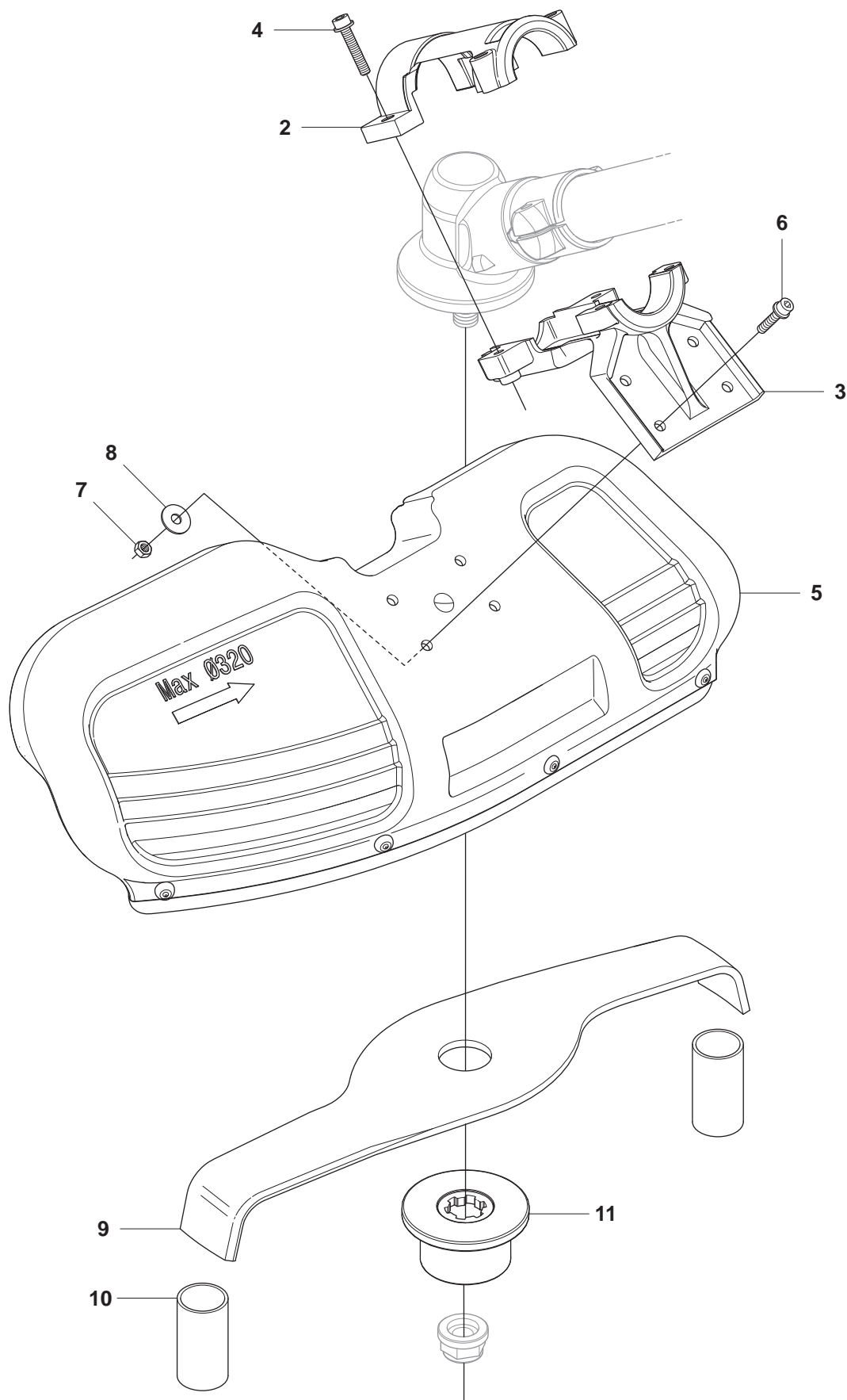


15



**ACCESSORIES**

Position	Article	Quantity	Notes	Kit
1	537 31 09-02	1	R, Rx, FR	
2	503 20 02-20	2		1
3	504 00 65-01	1		1
4	504 00 33-01	1		1
5	537 21 71-04	1	200mm	1
6	503 20 03-16	4		1
7	537 29 73-01	1	F, Fx, FxT	
8	537 18 95-01	1		7
9	537 23 03-01	1		7
10	732 21 16-01	1		7
11	503 95 43-02	1		7
12	503 74 29-01	1		7
13	503 21 07-16	1		7
14	537 28 53-01	1		7
15	537 29 74-01	1	F, Fx, FxT	
16	537 18 95-01	1		15
17	537 23 03-01	1		15
18	732 21 16-01	1		15
19	537 28 85-01	1		15

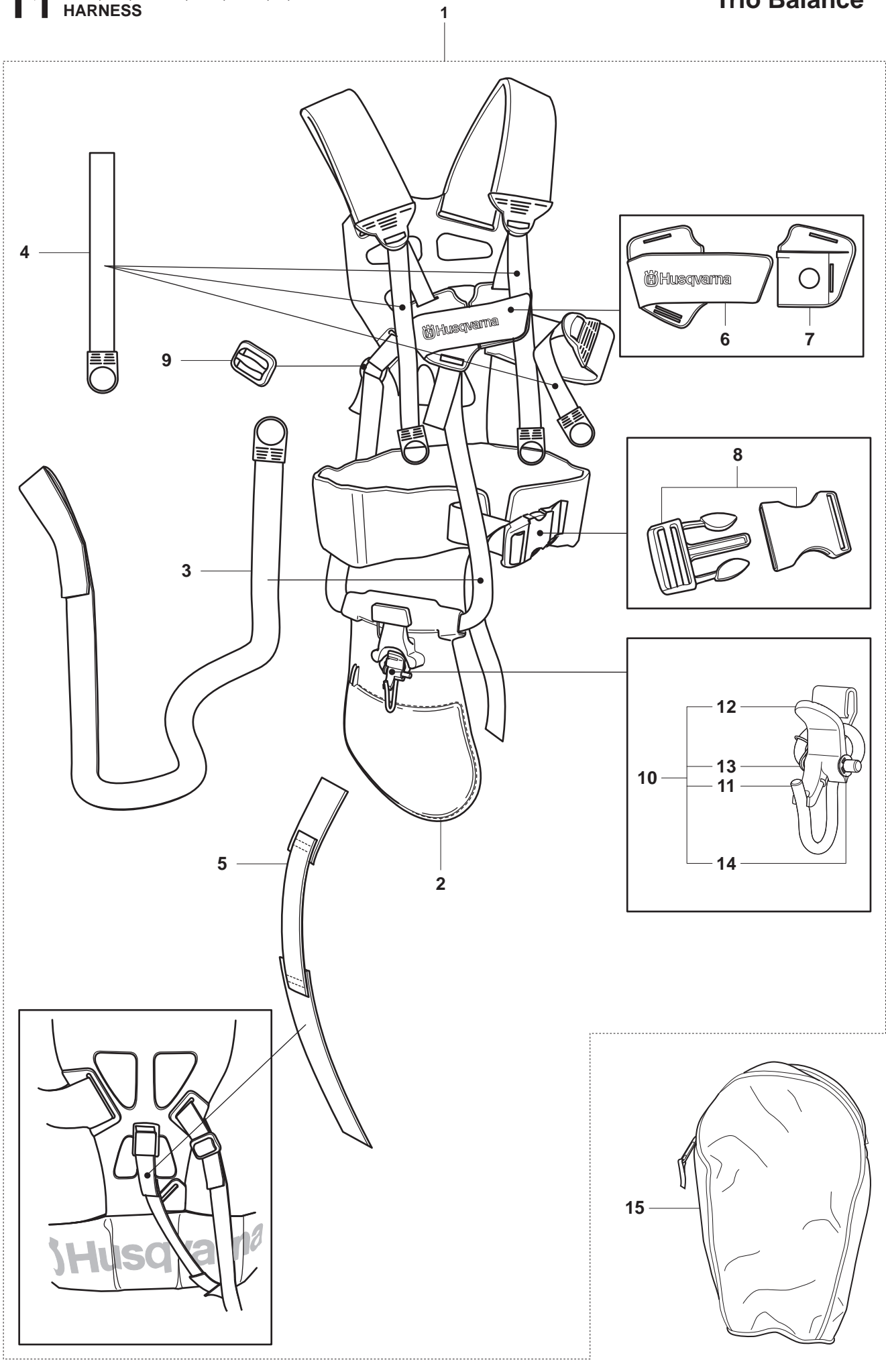


**ACCESSORIES**

<b>Position</b>	<b>Article</b>	<b>Quantity</b>	<b>Notes</b>	<b>Kit</b>
2	544 11 87-01	1		
3	544 11 88-01	1		
4	503 20 02-25	4		
5	544 02 65-02	1		
6	503 20 02-16	4		
7	732 21 14-01	4		
8	734 11 47-41	4		
9	537 42 90-02	1		
10	537 19 49-01	2		
11	510 13 94-01	1		

**T1** 343F, FR, 345FX, FXT, FRM, R, RX  
HARNESS

**Trio Balance**





**T2**

343F, FR, 345FX, FXT, FRM, R, RX  
HARNESS

**Duo Balance**

